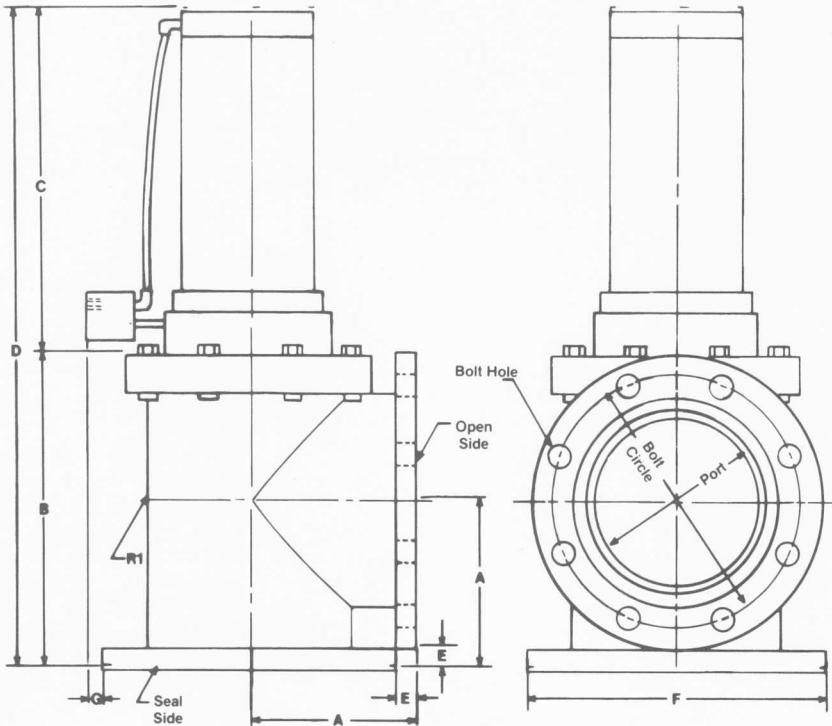




Wrought Aluminum High Vacuum Angle Valves



- Extruded and Welded
- Extremely Low Outgassing Rate
- Certified Leak Rate - Helium Tested to 1×10^{-9} STD/CC/SEC
- Automatic Closure on Power Failure
- Optional Remote Position Indicator
- Unimpaired Round Openings
- Standard ASA 150 lb. Flanges

DIMENSIONS:

Valve Size	Bottom Port	Side Port	Bolt Circle	Bolt Holes	Flange Seal	A	B	C	D	E	F	G(Solenoid Clearance)	R1* Option
2	2	2-1/2	4-3/4	(4)11/16	2-3/4X.210	3-11/16	6-1/8	7-1/4	12-1/2	11/16	6	2-5/8	1-1/4
3	3	3-3/4	6	(4)11/16	4X.275	4-1/2	7-7/8	11-1/2	19-3/8	3/4	7-1/2	2	1-1/4
4	4	5	7-1/2	(8)11/16	5-1/2X.275	5-1/4	8-3/4	14	22	5/8	9	1-1/4	1-1/4
6	6	6	9-1/2	(8)13/16	7-1/2X.275	6-3/8	10-3/4	15	25	3/4	11	1/8	2-1/2
10	10	10	14-1/4	(12)15/16	12X.275	9-1/8	16-13/16	20	36-13/16	1	16	no overhang	2-1/2

All dimensions in inches.

*Standard max. R1 (roughing port) sizes listed. Consult factory for oversize dimensions available.

PRICES:

Valve Size	Weight Lbs.	Price With Pneumatic Operator	Price With Manual Operator
2	7	\$735.00	\$685.00
3	13	\$845.00	\$795.00
4	15	\$1010.00	\$960.00
6	28	\$1150.00	\$1100.00
10	70	\$2155.00	\$2080.00

Options:	
Position Indicators (enclosed SPDT type, 1 Amp, per pair)	\$100.00
Roughing Ports	
Up to and including 1 - 1/4" opening	\$ 60.00
over 1 - 1/4" opening	\$100.00

Vacuum Research Corporation

2401 Smallman Street • Pittsburgh, PA 15222 USA

Telephone: (412) 261-7630 • Toll Free: 800-426-9340 • Telex: 910 240 9139 • Fax: (412) 261-7220