

DESCRIPTION

The Vacuum/Atmospheres HE-43 Series, Dri-Lab is designed for use with Vacuum/Atmospheres DRI-TRAINS and NI-TRAINS to establish and maintain an atmosphere of less than 1 ppm contaminants. The unit contains an evacuable chamber (Ante-Chamber) for transfer of parts without contamination of the environment. The Dri-Lab is designed for convenience, efficiency, and operator comfort. The structure exposed to the controlled environment is type 6061 etched aluminum. Ease of cleaning is made possible by the large radius corner design. Maximum flexibility of configuration is provided by the modular construction: removable front, top, and end panels. Additional modules may be added or ante-chamber mounted on either end.

APPLICATION

The HE-Series Dri-Lab is a hermetically sealed enclosure for working with materials sensitive to moisture, oxygen, and/or nitrogen.

FEATURES

1. Light weight aluminum
2. Easy to add modules
3. Maximum work comfort
4. Sloping window
5. Maximum visibility
6. Top lighting
7. Electrical outlet in chamber
8. Ante-Chamber 15" dia. x 24" long
9. Sliding tray 12" x 23"
10. Helium leak tested at 10^{-10} cc/sec.

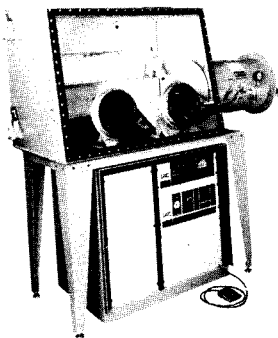
DRI-LAB SPECIFICATIONS

GLOVE BOX

- Construction:** Modular structure with elastomer gasketed end panels for ease of removal and replacement. Additional box modules may be added at any time. Ante-Chamber may be moved to either end. All interior corners are 1/2" minimum radius; no seams, cracks, or crevices.
- Material:** 3/16" type 6061 brushed aluminum inside. Pleasant green enamel outside.
- Window:** Scratch and chemically resistant, optically clear, allyl diglycol carbonate plastic with high impact resistance.
- Ports:** Two 9" glove ports, 18" on center.
- Lighting:** External fluorescent light (24W) over top window providing 60 ft. candles on glove box floor.
- Electrical Outlet:** Two duplex, 115V outlets.
- Fittings:** 2 each 1 - 1/2" circulation ports, 4 each 1/2" IPS. Two 1" flanged ports for bubbler and hygrometer probe.
- Test & Certification:** No detectable leaks at ± 8 " w.c. with helium mass spectrometer calibrated 3×10^{-10} std. cc/sec.

ANTE-CHAMBER

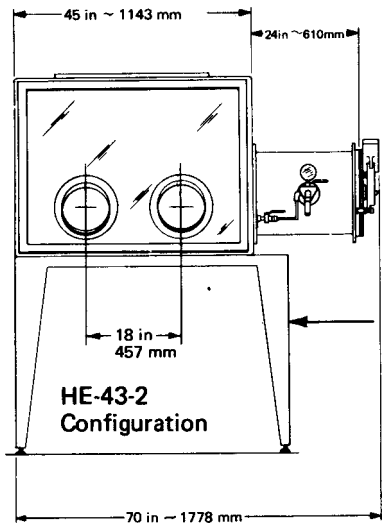
- Construction:** High vacuum design, O-ring sealed doors and valves. TIG welded structure.
- Material:** 6061 aluminum, pleasant green enamel outside only.
- Vacuum Capability:** One micron (1×10^{-3} torr).
- Size:** 15" dia. x 24" long
- Doors:** Single center clamped, O-ring sealed, counterbalanced, vertical action.
- Gauge:** 3" compound Bourdon tube dial type.
- Tray:** AL 12" x 23" extends 14" beyond each end on ball bearing slide.
- Connections:** 1" evacuation valve, 1/4" backfill valve, 1/4" IPS plug.
- Test & Certification:** No detectable leaks at full vacuum with helium mass spectrometer calibrated 3×10^{-10} std. cc/sec.



BASIC MODEL NUMBERS/DRI-LAB

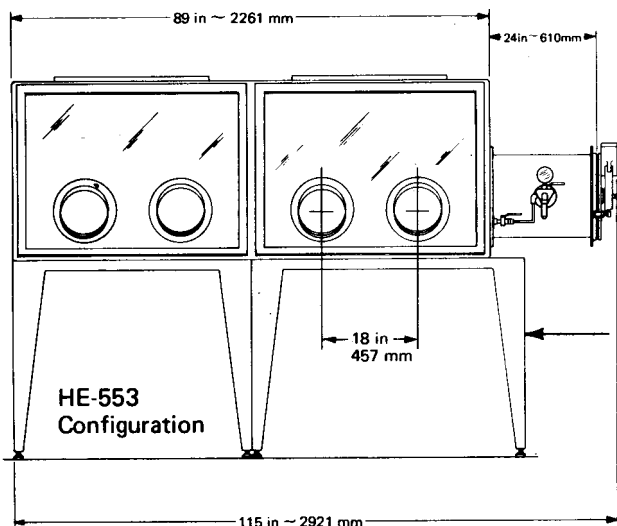
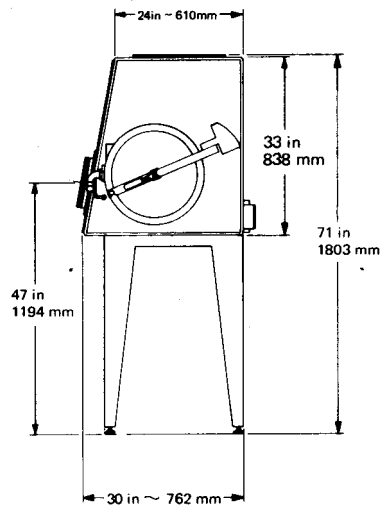
HE-43-2	=	Single Sided, Single Length
HE-553	=	Single Sided, Double Length
HE-243	=	Double Sided, Single Length
HE-453	=	Double Sided, Double Length

Standard boxes have Ante-Chamber on right-hand end and blank left-hand end panel. Special configurations and sizes also available.



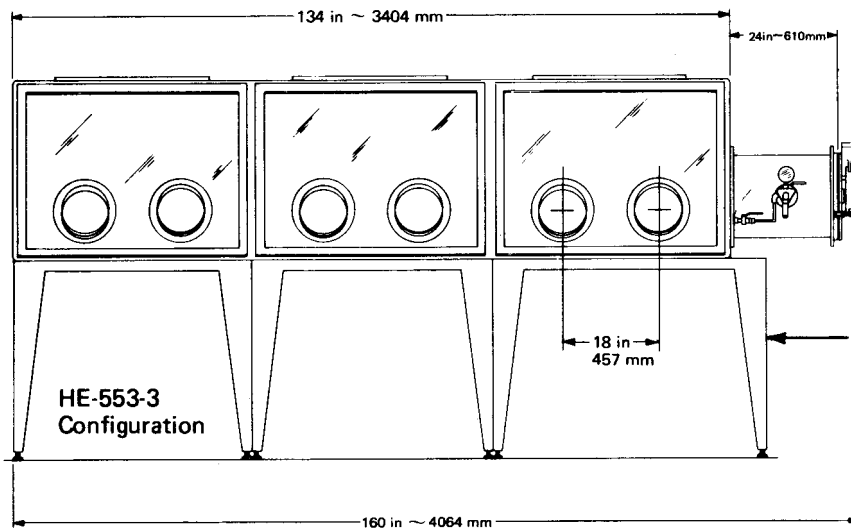
**HE-43-2
Configuration**

Typical Stand
available as
an option



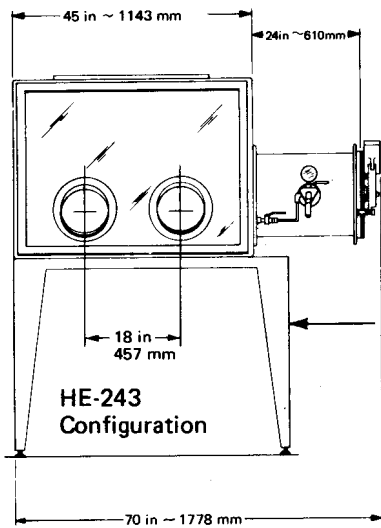
**HE-553
Configuration**

Typical Stand
available as
an option



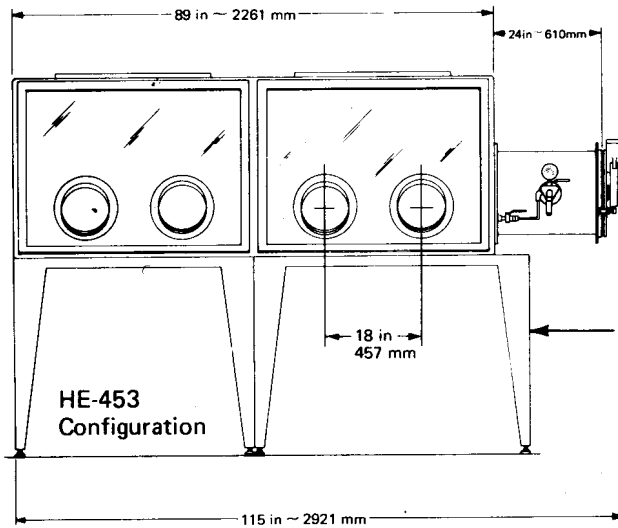
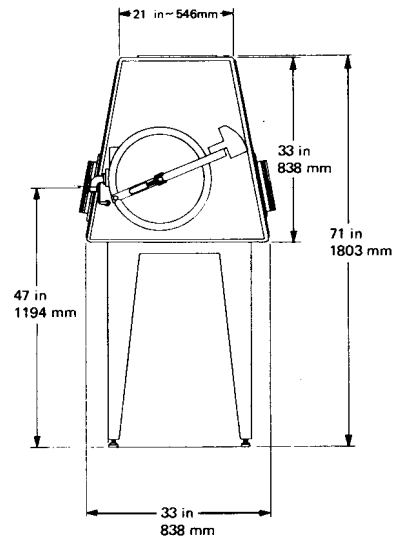
**HE-553-3
Configuration**

Typical Stand
available as
an option



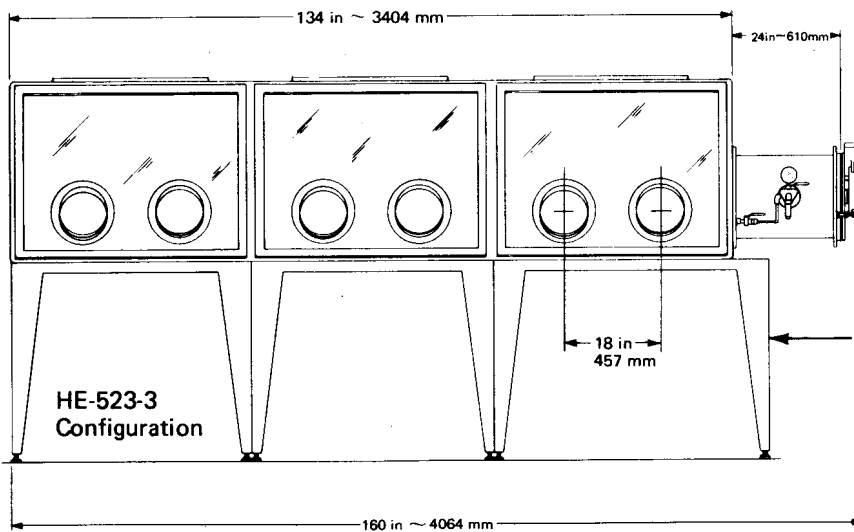
**HE-243
Configuration**

Typical Stand
available as
an option



**HE-453
Configuration**

Typical Stand
available as
an option



**HE-523-3
Configuration**

Typical Stand
available as
an option