

# VACUUM/ATMOSPHERES COMPANY

4652 W. ROSECRANS AVE. ■ HAWTHORNE, CALIF. 90250 - U.S.A.  
TELEPHONE (213) 644-0251

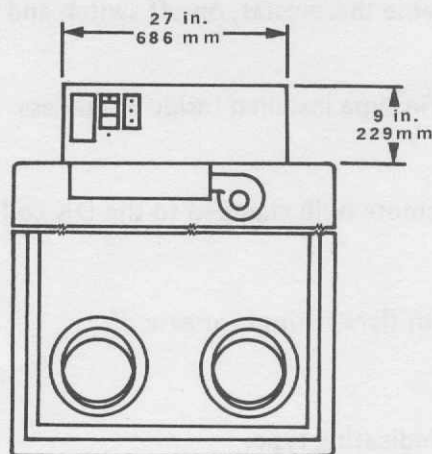
**VAC**  
VACUUM/ATMOSPHERES

DRI-KOOL

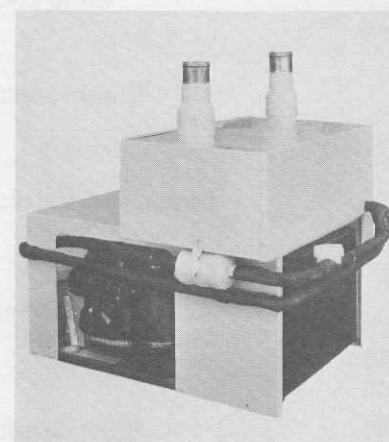
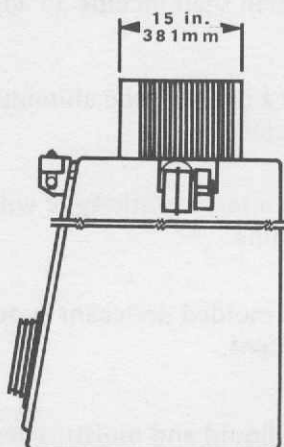
**DK**

SERIES

## NEW GENERATION



DK-3-I INSTALLED ON DRI-LAB GLOVE BOX



DK-3-E

### APPLICATION

Overheated glove boxes cause operator discomfort and may interfere with processing of products. The Dri-Kool is designed for cooling the inert gas atmosphere in a Dri-Lab or Vac-Lab glove box or the gas to a Vac-Oven or Dri-Train. They are available in two configurations: for installation in an external (E) piping system or installation with the evaporator and fan inside (I) the glove box.

### DESCRIPTION

The DK Series Dri-Kool is a mechanical refrigeration system complete with evaporator, condensing unit and blower. Small capacity units have air cooled condensers. Large capacity units are available with water cooled condensers.

### FEATURES

1. Factory assembled, tested and charged refrigeration system.
2. Provides operator comfort and protects processes from overheating.
3. Engineered for cooling argon, nitrogen or helium.
4. Protects purifier desiccant and helps maintain low ppm moisture levels.
5. Thermostatic control, refrigerant sight glass and drier included.
6. Available in various capacities and configurations for internal or external installation.
7. DK-3-I Fits existing sky-light opening of HE-Series Dri-Labs

## SPECIFICATION FOR PURCHASE

- Condensing Unit:** Shall include a high torque rubber mounted hermetic compressor designed for refrigerant 12. The air cooled condenser shall be heavy gauge steel. Charging valve, receiver, and condenser fan shall also be included. The unit shall be UL approved.
- Controls:** The system shall include an adjustable thermostat, on-off switch and fuse.
- Evaporator:** Shall be a copper tube aluminum fin type installed inside a stainless steel enclosure.
- Expansion Valve:** Shall be a thermostatic type with remote bulb clamped to the DX coil suction line.
- Filter-Drier** Shall be molded desiccant type with flare fittings for ease of replacement.
- Sight Glass:** Shall be liquid and moisture level indicating type.
- Test & Certification:** The assembled system shall be vacuum outgassed and have no detectable leaks at full vacuum when tested with a helium mass spectrometer leak detector calibrated at  $3 \times 10^{-10}$  atm. cc/sec.

## CAPACITY AND POWER

Model Number	Btu/HR Cooling Capacity		Electrical Power Volt/Phase/Hz/Amp
	Air/N <sub>2</sub> /He	Argon	
DK-3-I	3,000	1,500	115 V, 1 $\phi$ , 60 Hz, 15 A
DK-3-E	3,000	1,500	
DK-10-I	10,000	5,000	115 V, 1 $\phi$ , 60 Hz, 20 A or 220 V, 1 $\phi$ , 60 Hz, 10 A
DK-10-E	10,000	5,000	

The last digit in Model Number indicates Internal (I) or External (E) installation configuration. Larger capacity units are available on special order.